



Borough of Pottstown

Borough Hall, 100 East High Street
Pottstown, Pennsylvania 19464-9525
(610) 970-6500

Colebrookdale Railroad
100 S. Chestnut Street
Boyertown, PA 19512

RE: **83 W. King Street**, Pottstown, Montgomery County
Water and Sanitary Sewer Services

To Whom It May Concern:

I am in receipt of your submitted Water Service Line and Sanitary Sewer Lateral Applications and sketch showing the anticipated location of each service.

Following are my comments relating to both:

WATER SERVICE

1. A curb shut off valve shall be located between the park service pipe and the meter pit to the new train station. (plate drawing 15)
2. Service pipe from park service to meter pit shall be "K" copper with flare type fittings.
3. Meter pit shall be within 5 ft of existing water service to park. (See plate drawing 19-1)
4. Once the meter pit is in place copper pipe does not have to be used for the service pipe. Polyethylene approved pipe may be used to the building. (see plate drawing 15-1)
5. Cataloged sheets for all material shall be submitted for approval prior to start of work.

SEWER SERVICE

1. Sewer lateral shall be 4" SDR35 PVC pipe, unless otherwise approved.
2. Sewer vent and clean out are not required.
3. All drop connections to manhole shall be plumbed in accordance with plate drawing.
(Plate drawing 33)
4. Cataloged sheets for all material shall be submitted for approval prior to start of work.

Sincerely,

Douglass Yerger,
Public Works Director

CC: Keith Place, L&I Director

POTTSTOWN WATER AUTHORITY
PUBLIC WORKS DEPARTMENT
SEWER LATERAL APPLICATION

Property Owner COLEBROOKDALE RAILROAD

Address 83 W KING ST

Town POTTSTOWN Phone # 610-367-0200

Development Name _____

Township _____ **Lot #** _____

Person applying for service COLEBROOKDALE RAILROAD

Address 100 S CHESTNUT ST

Town BOYERTOWN PA 19512 Phone # 610 367-0200

Contractor License # Pottstown _____ **Fax #** _____

Size of sewer line 4" **Type of pipe** PVC

Note: All applications must be accompanied by a plan of the property and the proposed lateral location.

PERSON APPLYING FOR NEW LATERAL SERVICE MUST ABIDE WITH ALL SEWER AUTHORITY RULES AND REGULATIONS.

NO SEWER LATERAL PERMIT SHALL BE ISSUED UNTIL ALL PLANS ARE RECEIVED AND FEES ARE PAID.

[Signature]
signature of person applying for service

4-2-19
Date

OFFICIAL USE ONLY

The following items must be paid prior to the issuance of the PERMIT:

- 1. Application fee (\$40.00) = \$ 40.00
- 2. Tap-in fee (1 EDU \$1545.00) X 1 EDU'S = \$ 1545.00
- 3. Inspection Fee (250.00) = \$ 250.00

TOTAL \$ 1,835.00

Received by _____

Approved by _____

Name

Date

RECEIVED APR 15 2019

**POTTSTOWN WATER AUTHORITY
PUBLIC WORKS DEPARTMENT
WATER SERVICE LINE APPLICATION**

Property Owner COLEBROOKDALE RAILROAD
Address 83 W KING ST
Town POTTSTOWN Phone # 610 367 0200
Development Name _____ Lot # _____
Township _____
Person applying for service COLEBROOKDALE RAILROAD
Address 100 S CHESTNUT ST
Town BOYERTOWN PA 19512 Phone # 610 367 0000
Contractor License # (Pottstown) _____ Fax # _____
Size of service line 1.75 = 3/4 Size Meter 5/8

Note: All applications must be accompanied by a plan of the property and the proposed service line location.

The Public Works Department shall be notified 3 working days prior to the start of work and all underground pipes must be inspected before back-filling pipes.

PERSON APPLYING FOR NEW SERVICE MUST ABIDE WITH ALL WATER AUTHORITY RULES AND REGULATIONS.

NO WATER SERVICE PERMIT SHALL BE ISSUED UNTIL ALL PLANS ARE RECEIVED AND FEES PAID.

[Signature]
signature of person applying for service

4-2-19
date

OFFICIAL USE ONLY Effective 1-1-2010

The following items must be paid prior to the issuance of the PERMIT:

1. Application fee	\$ 40.00	= \$	<u>40.00</u>
2. Tap-in fee (1 EDU = \$1764.00) X <u>1</u> EDU'S		= \$	<u>1764.00</u>
3. Tap-in fee, sprinkler system = \$1764.00		= \$	<u>—</u>
4. Inspection Fee	\$ 250.00	= \$	<u>250.00</u>
5. Water meter (Domestic) serial # _____		= \$	<u>150.00</u>
6. Water meter (Sprinkler) serial# _____		= \$	<u>—</u>

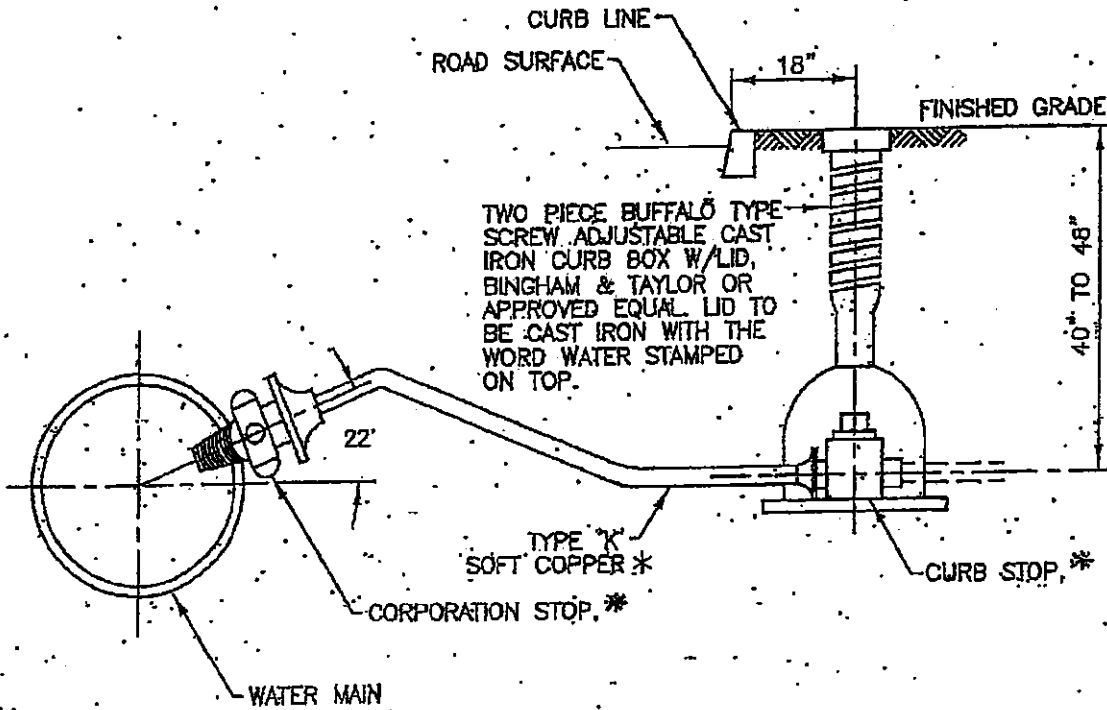
Total = \$ 2,204.00

Received by _____

Approved by _____
name

date

RECEIVED APR 15 2019



TWO PIECE BUFFALO TYPE
SCREW ADJUSTABLE CAST
IRON CURB BOX W/LID,
BINGHAM & TAYLOR OR
APPROVED EQUAL LID TO
BE CAST IRON WITH THE
WORD WATER STAMPED
ON TOP.

*SIZE AS REQUIRED

NOTE: FOR DETAILED REQUIREMENTS OF CORPORATION STOP, CURB STOP, AND CURB BOX, REFER TO SPECIFICATION SECTION Q2552.

	POTTSTOWN BOROUGH AUTHORITY <small>© 2006</small>	DRAWN:
7/18/17		SCALE: NONE
9/17/14		PLATE NO. 15
6/21/06		
REVISIONS	SERVICE LINE 3/4" - 2"	

SERVICE LINE SPECIFICATIONS

1. All service lines shall have the service located on the side of the building that identifies the mailing address.
2. The customer service line shall extend to the curb box.
3. Connections to copper pipe can be made with flared type or compression type fittings manufactured for the approved pipe. No sweat joint connections shall be permitted in any part of the service line. See Section 02552/3.
4. All service lines shall have a minimum of 40" inches and maximum of 48" of ground cover to protect the pipe from freezing. The service line shall also be bedded in screening.
5. No water service pipe shall be placed in the same trench as gas, sewer, electric wires, telephone cable, cable television, or any other cable, pipe, or wire. The water pipe may be shelved on the edge of an existing trench providing that the water pipe has at least 18" of vertical separation and a minimum of 3' from all other types of wires, cables, pipes, or other utilities.
6. All service lines from the corporation stop to the curb stop, in sizes from 3/4" to 2" shall be made of "K" copper, installed in one continuous piece from the main to the curb box.
All service lines in sizes from 3" to 8" shall be made of ductile iron pipe with double cement lining.
7. All service lines between the curb stop and the meter shall be made of "K" copper, polyethylene plastic (ASTM 02239) or polyethylene tubing (ASTM D2737), and shall be one continuous piece from the curb box to the meter location. The connecting of short or left over pieces of pipe shall not be acceptable. If the building is too far from the main to allow a single piece of pipe, the water meter shall be installed in a pit just behind the public right-of-way.
8. All ductile iron service lines shall be installed in accordance with the latest edition of the AWWA standard for ductile iron pipe
9. The service shut-off valve, which is also identified as a curb stop, shall be located 18" behind the cartway. If this is not possible, it shall be located by the Water Distribution Division.
 - a. The shut-off valve for a service line above 2" shall be located in the street within 3' of the main. If conflicts exist such that the shut-off valve can not be located within the required distance, then it shall be installed as close as possible.

	POTTSTOWN BOROUGH AUTHORITY	DRAWN: TLJ
		SCALE: NONE
JULY 18, 2017	SERVICE LINE SPECIFICATIONS	PLATE NO. 15-1
REVISIONS		

SERVICE LINE SPECIFICATIONS

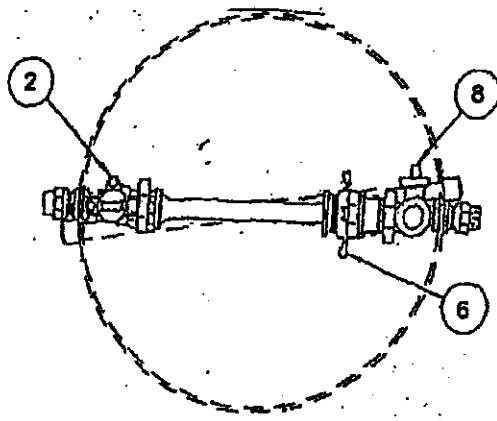
10. All pipe must be inspected prior to back filling. If a service line is back filled prior to inspection it will be required to be excavated for inspection.
 - a. A service line shall be inspected for the proper fittings.
 - b. Proper type of pipe.
 - c. Verify the minimum number of connections were made.
 - d. Proper location of the curb box.
 - e. Proper bedding.

11. All water service pipes must be inspected for leaks.
 - a. After inspection of the service line, then all solid runs of pipe can be back filled to provide anchoring of the line. All connecting joints, fittings, valves, etc. must remain uncovered until the line is charged with water pressure, then the joints shall be inspected for leaks. After the line has passed the pressure test, then it may be back filled with suitable material. If it is determined to be necessary, in its opinion, the Water Distribution Division reserves the right to have the service line pressure tested to 125 psi.

12. Lines greater than 2" shall have chorine tablets placed in the pipe prior to installation.

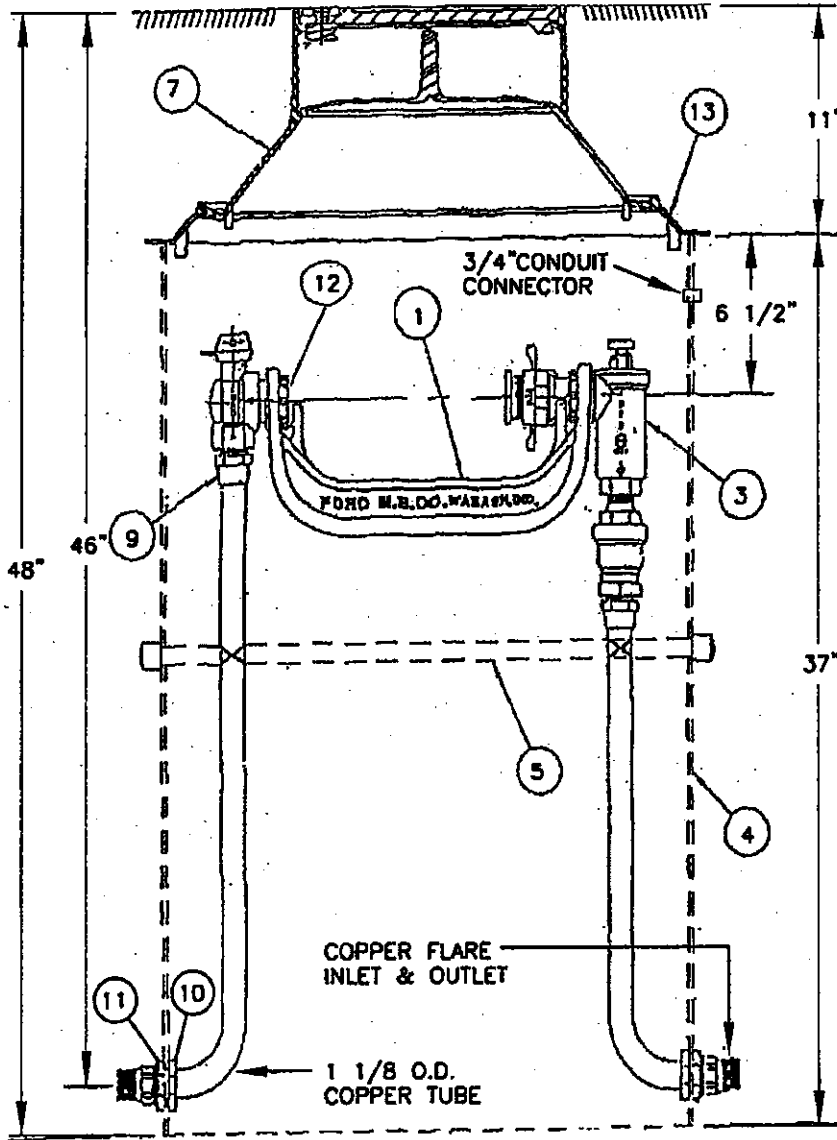
	POTTSTOWN BOROUGH AUTHORITY		DRAWN:
	<small>© 2006</small>		SCALE:
6/21/06	SERVICE LINE SPECIFICATIONS		PLATE NO. 15-2
REVISIONS			

METER PIT LOCATE
TO BE APPROVED
BY AUTHORITY



REMOTE READER TO BE
LOCATED IN ACCORDANCE
WITH METER REQUIREMENTS
IN PLATE 16-1.

"K" COPPER TO BE USED
FOR ALL SERVICE LINES
TO METER.



	POTTSTOWN BOROUGH AUTHORITY © 2006	DRAWN:
6/21/06	WATER METER PIT UP TO 1"	SCALE: NONE
REVISIONS		PLATE NO. 19

Specifications for Meter Pit

The meter box shall be made of extrusion grade PVC., 20" diameter pipe for up to 3/4" meters and 24" diameter pipe for 1" meters.

K copper pipe shall be 13/16" O.D. for 3/4" meters and 1 1/8" O.D. for 1" meters.

The lid shall be cast iron, and shall be sufficiently strong to support pedestrian type traffic. The lid shall be clearly marked "Water Meter".

A 3/4" conduit connection shall be provided at the top of the pit for remote electronic sensing device wires.

Brass used in manufacturing shall comply with the latest AWWA standards for water works brass, such as angle check valves, angle valves, quarter bends, etc. The box shall be provided with inlet and outlet connections as specified.

All fittings will be as manufactured by Ford Meter Box Company and as supplied by L/B Water Service, or approved equal, as shown below:

Notes for plate No. 19

Item	Description	Quantity	3/4" Meter P/N	1" Meter P/N
1	Yoke Bar	1	Y503	Y504
2	Angle Ball Valve	1	BA91-323W	BA91-44W
3	Cartridge Dual Check Valve	1	HHCA91-323-D	HHCA91-444-D
4	PVC Pipe	1	By supplier	By supplier
5	1/2" PVC Support & caps	1	By supplier	By supplier
6	Expansion Connection	1	EC-23	EC-4
7	Cover	1	W3	W3
8	Ball Valve	1	B81-333	B81-444
9	Solder Bushing	2	CS8-23	CS8-44
10	Inlet & Outlet	2	A-31400-02	A-31400-02
11	Lock Nut	2	A-42716-01	A-42716-01
12	Adapter for 5/8" x 1/2" meter	2	A-13	
13	Extension Ring	1		EXT-2

	POTTSTOWN BOROUGH AUTHORITY	DRAWN:
	<small>© 2006</small>	SCALE: NONE
6/21/06	SPECIFICATIONS FOR METER PIT	PLATE NO. 19-1
REVISIONS		